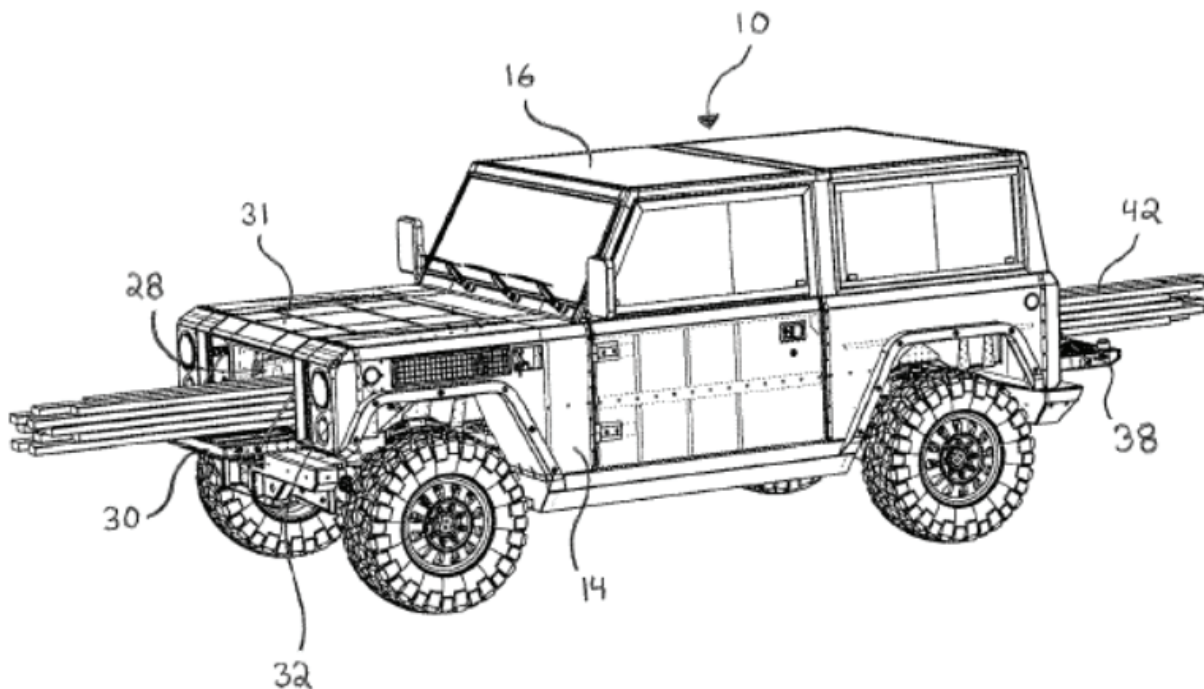


# Now Patented: Vehicle with Frunkgate



By Brandon Zuniga, Esq.

Frunkgate: US 10,676,137 has issued for something you didn't know you wanted, a "tailgate" on the front of your car. For example, have you ever wished your car had a little extra length for storing poles, planks of wood, or other elongated objects? If so, this electric vehicle by Bollinger Motors with a built-in Frunkgate may be of interest.



By eliminating a typical combustion engine and instead using an electric engine, space has been cleared for extra-long items to pass all the way through the vehicle.

If you have a great idea that you would like to patent, the first step is filing a patent application. However, what many people don't realize is that you should generally keep your idea secret until you file your application. Although the United States gives you a one-year grace period for filing a patent application after public disclosure, many other countries are not as generous.

If you would like to speak with an attorney about your options, call 972.367.2001 or email [bzuniga@cclaw.com](mailto:bzuniga@cclaw.com).



**CARSTENS & CAHOON, LLP**  
Attorneys and Counselors

**(972) 367-2001**